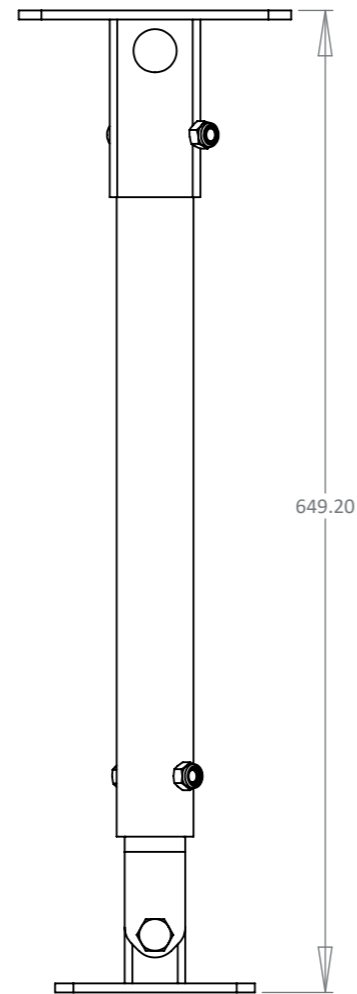
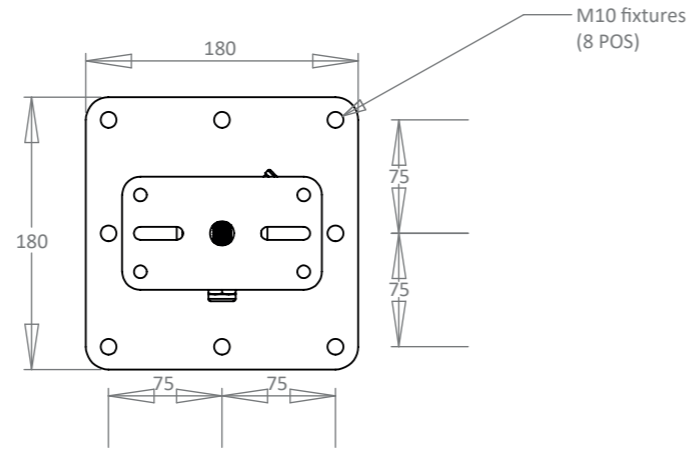


IF IN DOUBT ASK



	NAME	DATE	DIMENSIONS IN MILLIMETRES				
DRAWN			FABRICATION <small>UNLESS OTHERWISE STATED</small>		MACHINING <small>UNLESS OTHERWISE STATED</small>		
			UP TO 300mm	+/-0.2mm	0, mm	+/- 0.5 mm	BREAK EDGE
CHECKED			300mm-500mm	+/-0.5mm	0.0 mm	+/- 0.2 mm	0.05 - 0.15mm
			500mm - 1m	+/-1.0mm	0.00mm	+/- 0.1mm	FILLET RADIS
			1m - 5m	+/-2.0mm	0.000mm	+/- 0.01mm	0.1 - 0.3mm
APPROVED			ANGULAR	±1°	ANGULAR	±0.5°	
			<small>SURFACE TEXTURE VALUES IN MICROMETRES (µm) TO BS1134-PT2. ALL MACHINED SURFACES TO BE ✓</small>				<small>ALL SCREW THREADS TO BS3643 PT.2</small>

TITLE: CEILING MOUNTING BRACKET		DRAWING No.	
PROJECT:		SAP No.	REV.
MATERIAL: AS ABOVE	GUAGE: (mm)	EST. WEIGHT: (Kg)	
FINISH:	COLOUR:	TEXTURE: SMOOTH	
THIRD ANGLE PROJECTION TO BS 8888	SCALE: 1:8	SHT 1 OF 1 SHTS	SHEET: A3



REPRODUCTION OF ANY PART OF THIS DOCUMENT IS FORBIDDEN WITHOUT  
PRIOR PERMISSION FROM VOID ACOUSTICS RESEARCH LTD.  
Registered in England & Wales No. 07535536  
DESIGN COPYRIGHT RESERVED.  
CONFIDENTIAL AND PROPRIETARY INFORMATION OF VOID ACOUSTICS RESEARCH LTD.