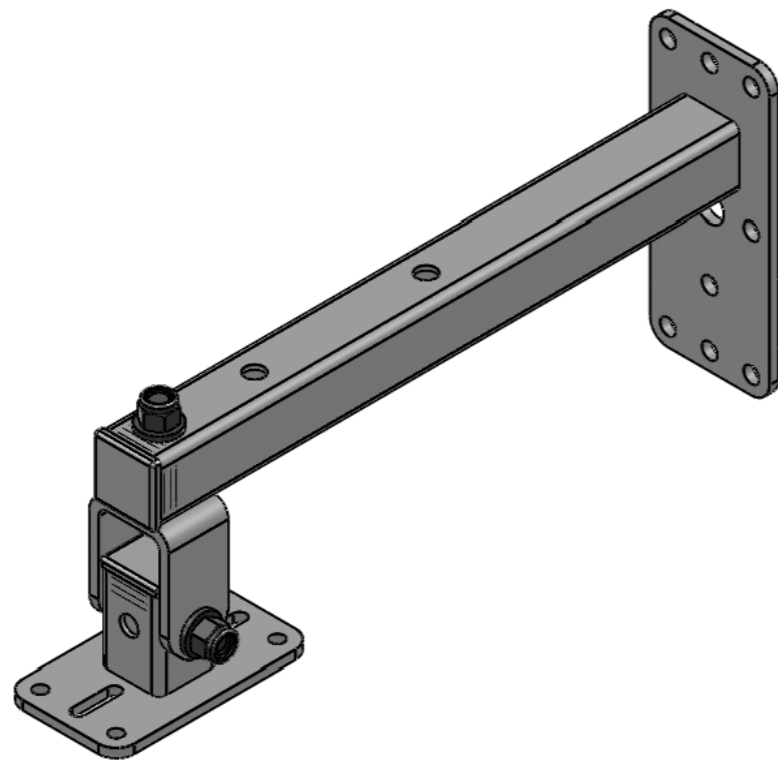
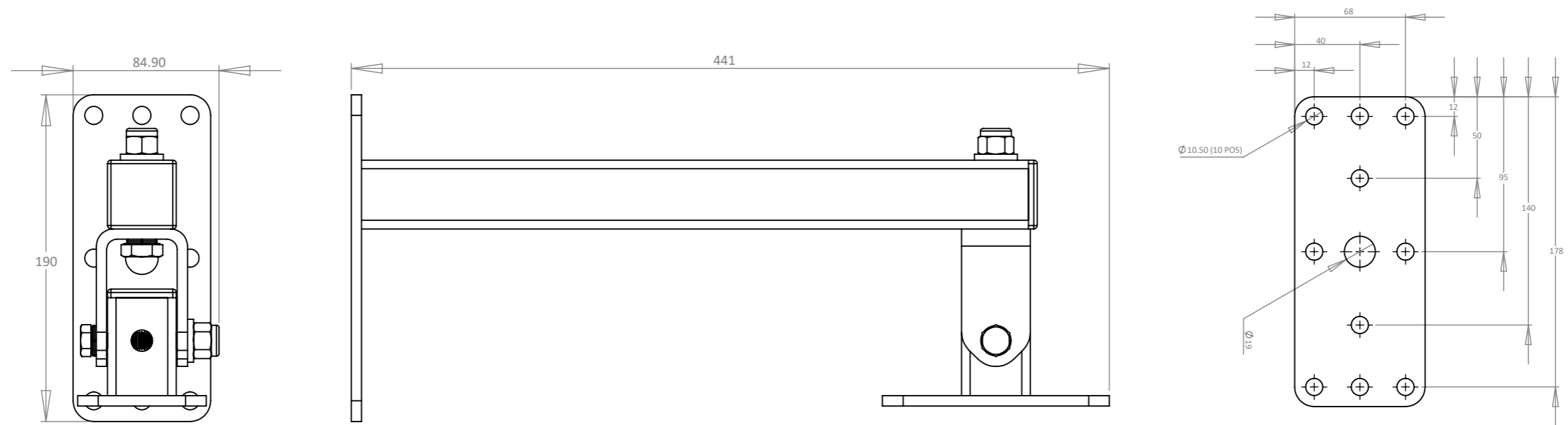


IF IN DOUBT ASK



		DIMENSIONS IN MILLIMETRES			
		FABRICATION UNLESS OTHERWISE STATED		MACHINING UNLESS OTHERWISE STATED	
		DRAWN		UP TO 500mm +/-0.5mm	0, mm
CHECKED		500mm - 1m +/-1.0mm	0.0 mm	+/- 0.2 mm	0.05 - 0.15mm
		1m - 5m +/-2.0mm	0.00mm	+/- 0.1 mm	FILLET RADIS
		5m - 10m +/-5.0mm	0.000mm	+/- 0.01mm	0.1 - 0.3mm
APPROVED		ANGULAR ±1°	ANGULAR	±0.5°	
		<small>SURFACE TEXTURE VALUES IN MICROMETRES (µm) TO BS1134PT2.                      ALL MACHINED SURFACES TO BE ✓ ALL SCREW THREADS TO BS3643 PT.2.</small>			

TITLE: <b>WHD-75</b>		DRAWING No.	
PROJECT:		SAP No.	REV. <b>1</b>
MATERIAL:	GUAGE: (mm)	EST. WEIGHT: (Kg)	
FINISH:	COLOUR:	TEXTURE:	
THIRD ANGLE PROJECTION TO BS 8888		SCALE:	SHT 1 OF 1 SHTS SHEET: <b>A3</b>
 VOIDACOUSTICS.COM			
REPRODUCTION OF ANY PART OF THIS DOCUMENT IS FORBIDDEN WITHOUT PRIOR PERMISSION FROM VOID ACOUSTICS. © DESIGN COPYRIGHT RESERVED. CONFIDENTIAL AND PROPRIETARY INFORMATION OF VOID ACOUSTICS.			